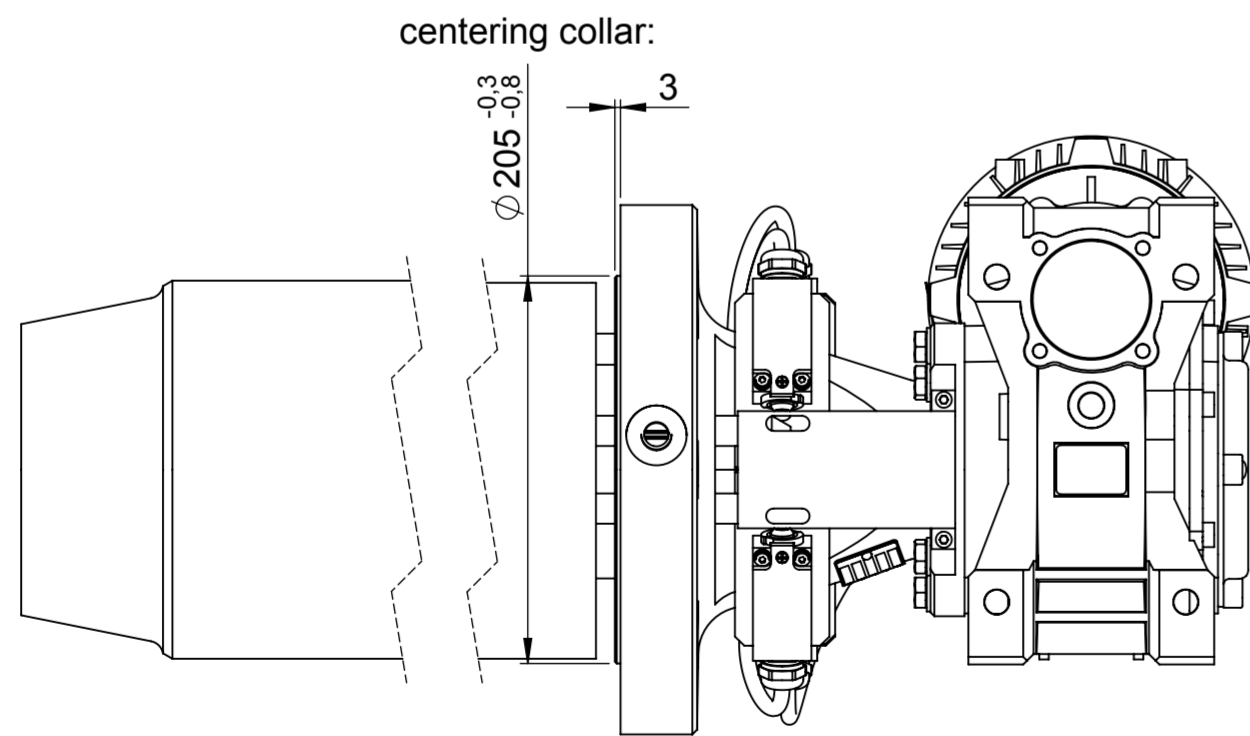
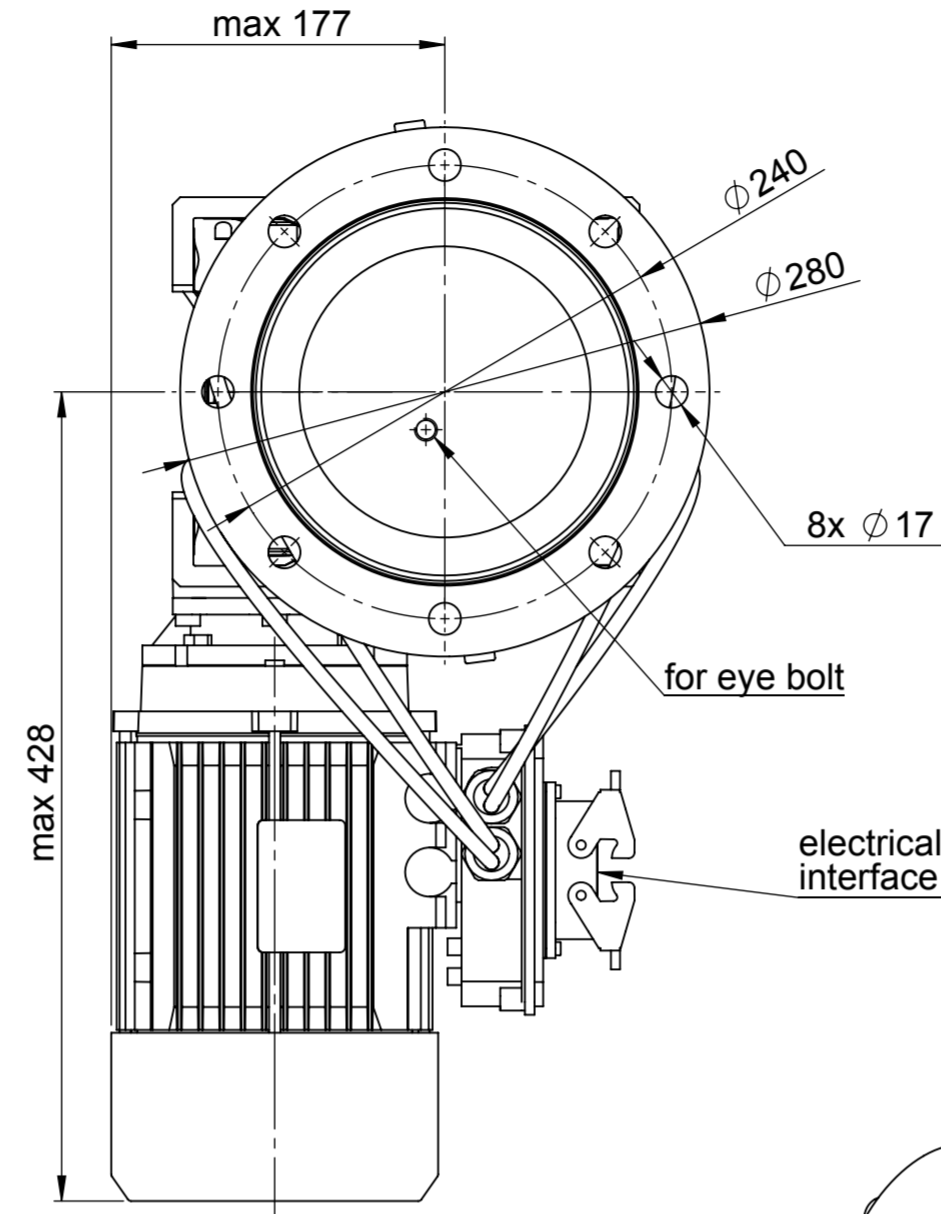
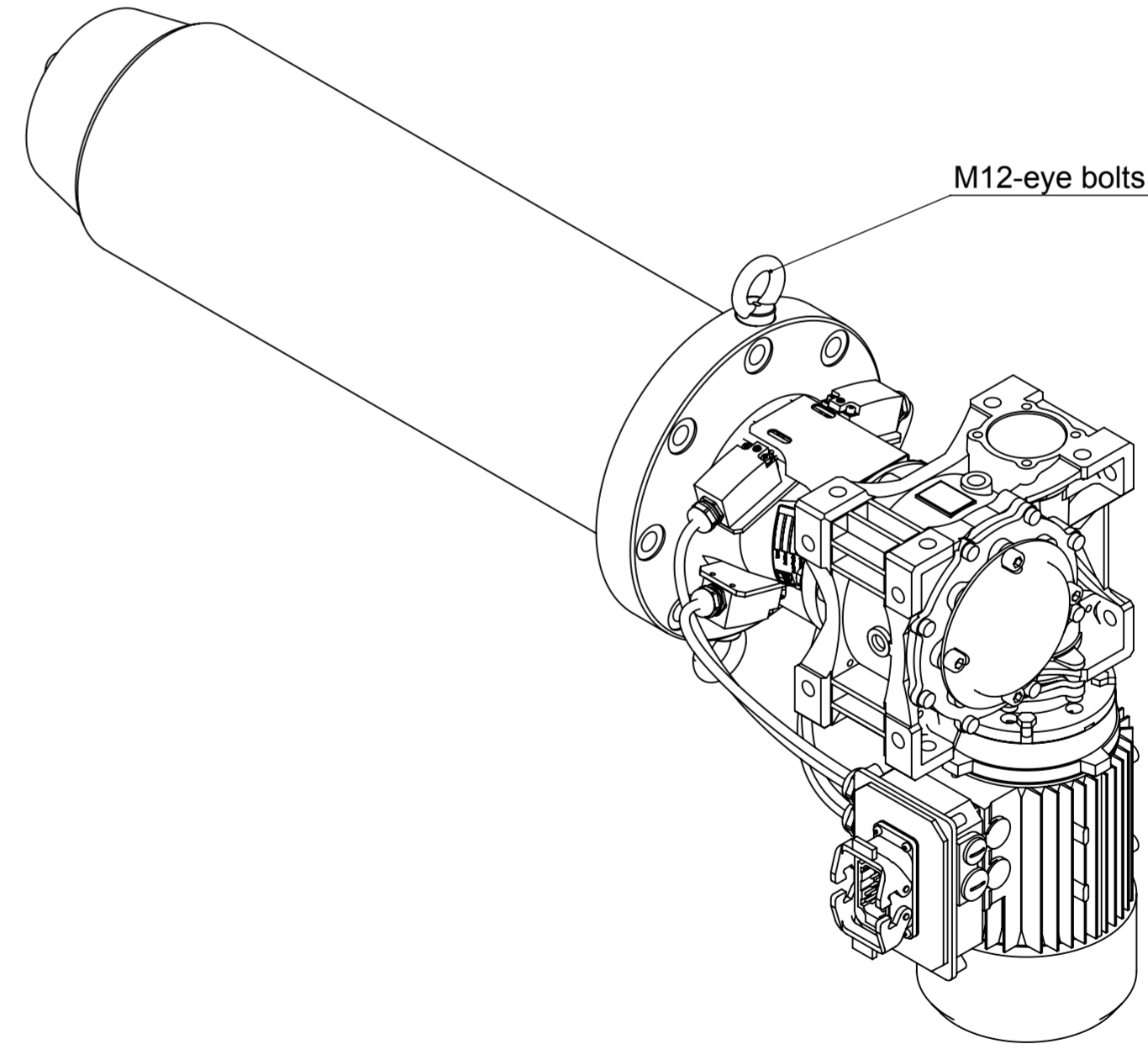


mechanical manual operation  
by hexagon socket

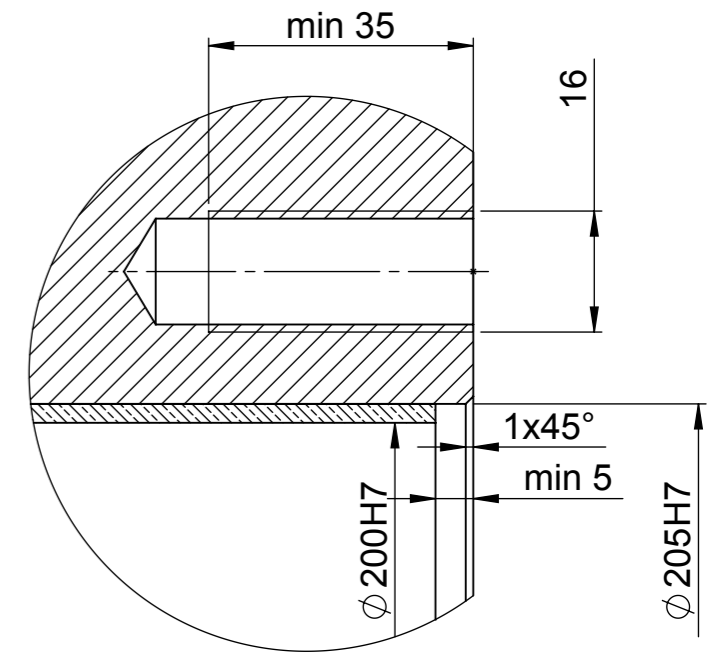
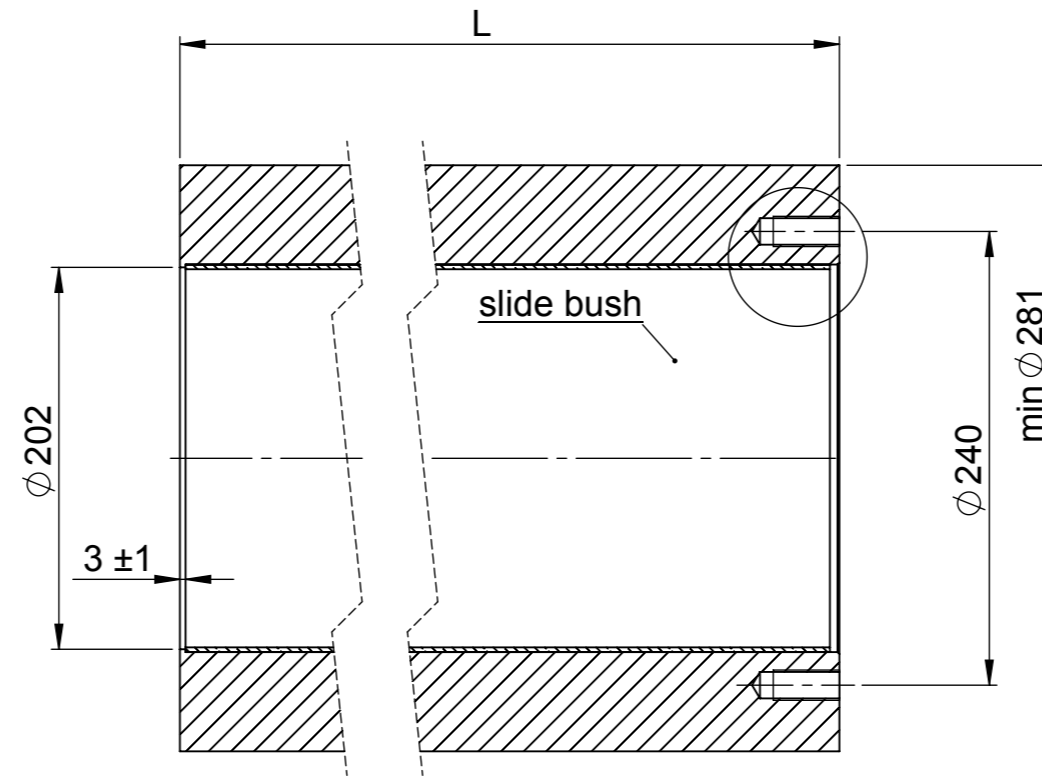
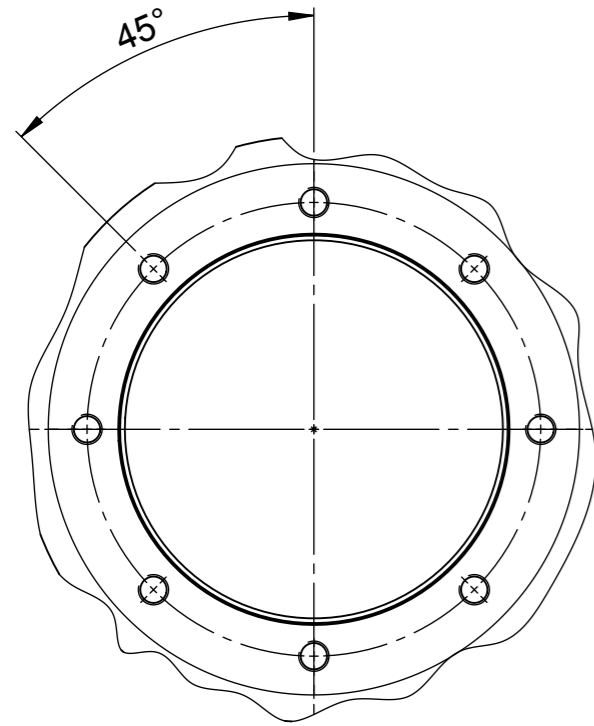


centering collar:



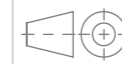
M12-eye bolts not included in delivery

disclosure and reproduction of this document is prohibited, exploitation and communication of its contents as well, unless specifically authorised. Violation undertakes compensation. All rights reserved. (DIN ISO 16016)		general tolerances DIN 7168-m	paper scale 1:4 paper size: weight:
DATE	NAME		material:
drawn 04.03.2014			coating:
checked 04.03.2014			
		<b>EMB-STOP RL S</b>	
		KTR Brake Systems GmbH Schloss Holte-Stukenbrock	
REV	MODIFICATION	DATE	NAME
			GERMANY
		replacing:	repl. by:
		sheet 1	sheets 2



disclosure and reproduction of this document is prohibited, exploitation and communication of its contents as well, unless specifically authorised. Violation undertakes compensation. All rights reserved. (DIN ISO 16016)

general tolerances  
DIN 7168-m



paper scale 1:4 paper size: weight:

material:  
coating:

DATE	NAME
drawn 04.03.2014	
checked 04.03.2014	

# EMB-STOP RL S

KTR Brake Systems GmbH  
Schloss Holte-Stukenbrock



GERMANY

replacing: repl. by:

sheet 2  
sheets 2

REV	MODIFICATION	DATE	NAME