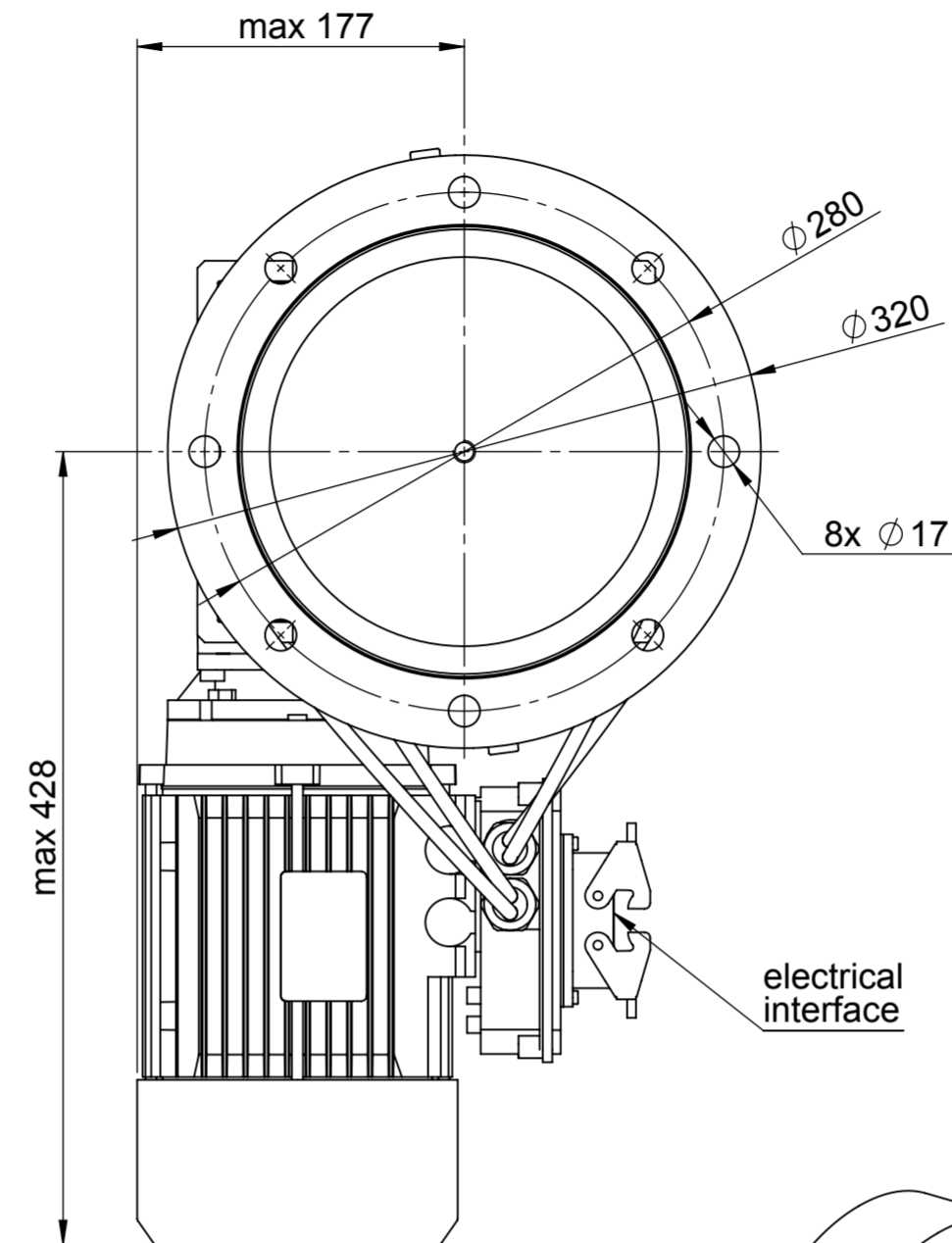
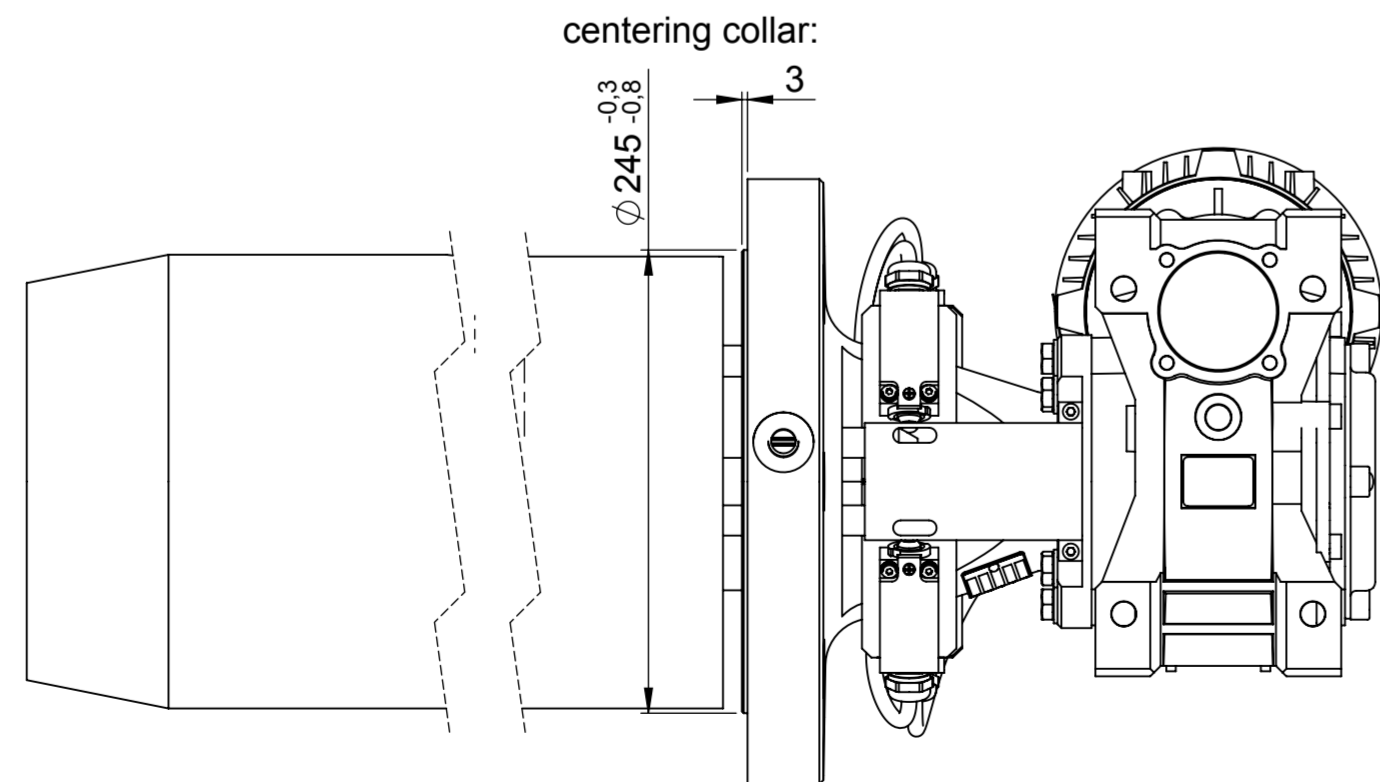


mechanical manual operation
by hexagon socket



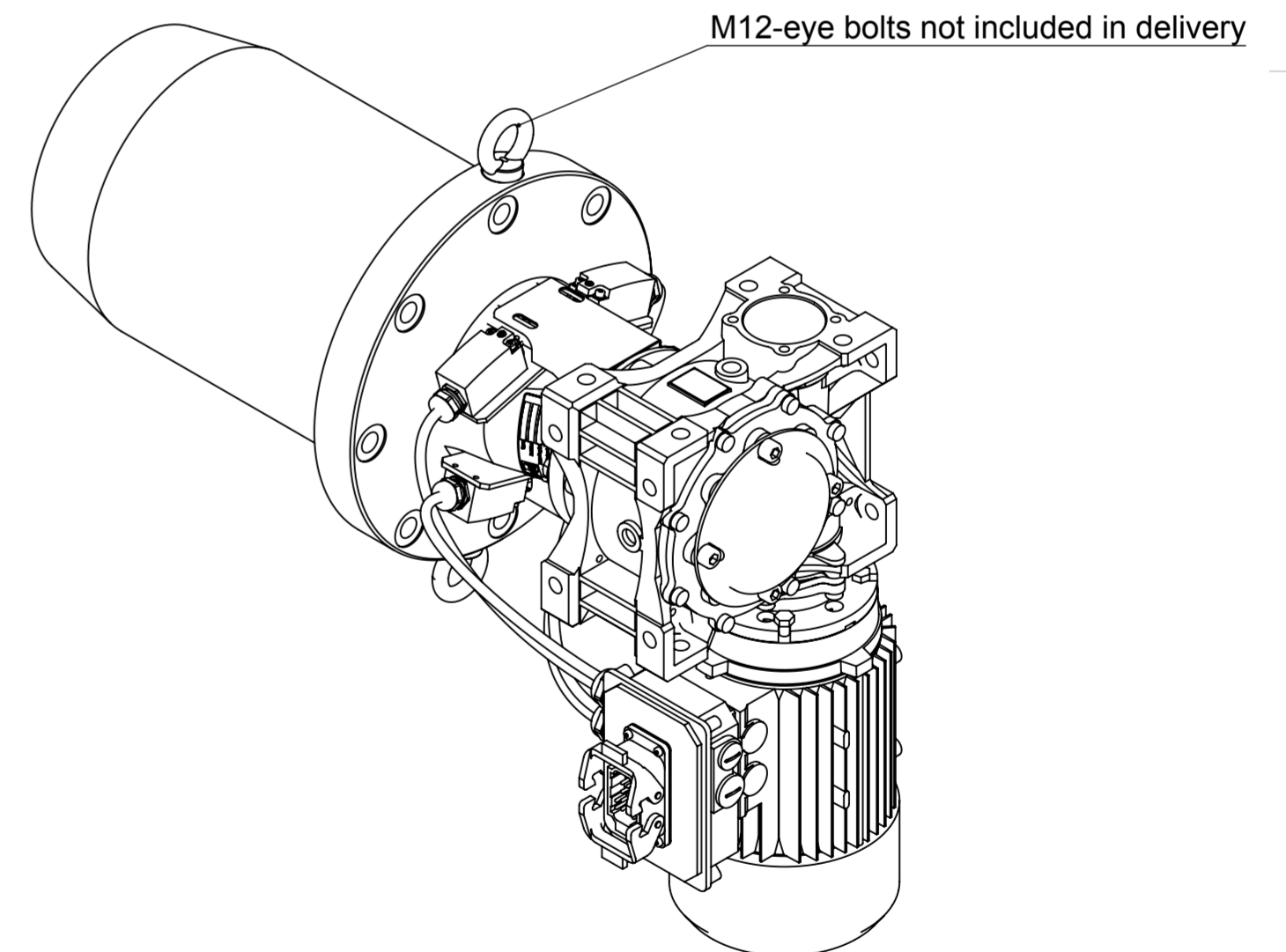
electrical
interface



centering collar:

$\phi 245 \begin{smallmatrix} -0.3 \\ -0.8 \end{smallmatrix}$

3



M12-eye bolts not included in delivery

disclosure and reproduction of this document is prohibited, exploitation and communication of its contents as well, unless specifically authorised. Violation undertakes compensation. All rights reserved. (DIN ISO 16016)

general tolerances
DIN 7168-m



paper scale 1:4 paper size: weight:

material:
coating:

DATE	NAME
drawn 03.03.2014	
checked 03.03.2014	

EMB-STOP RL M

KTR Brake Systems GmbH
Schloss Holte-Stukenbrock

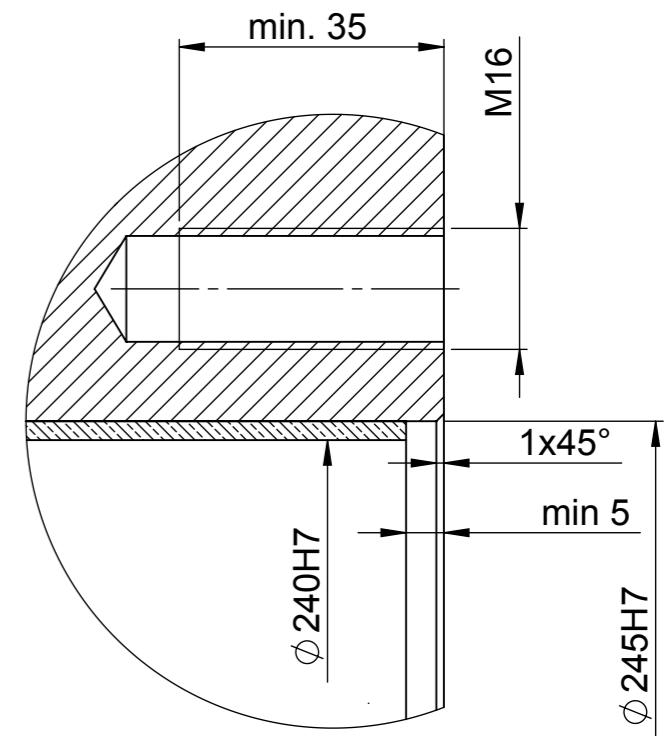
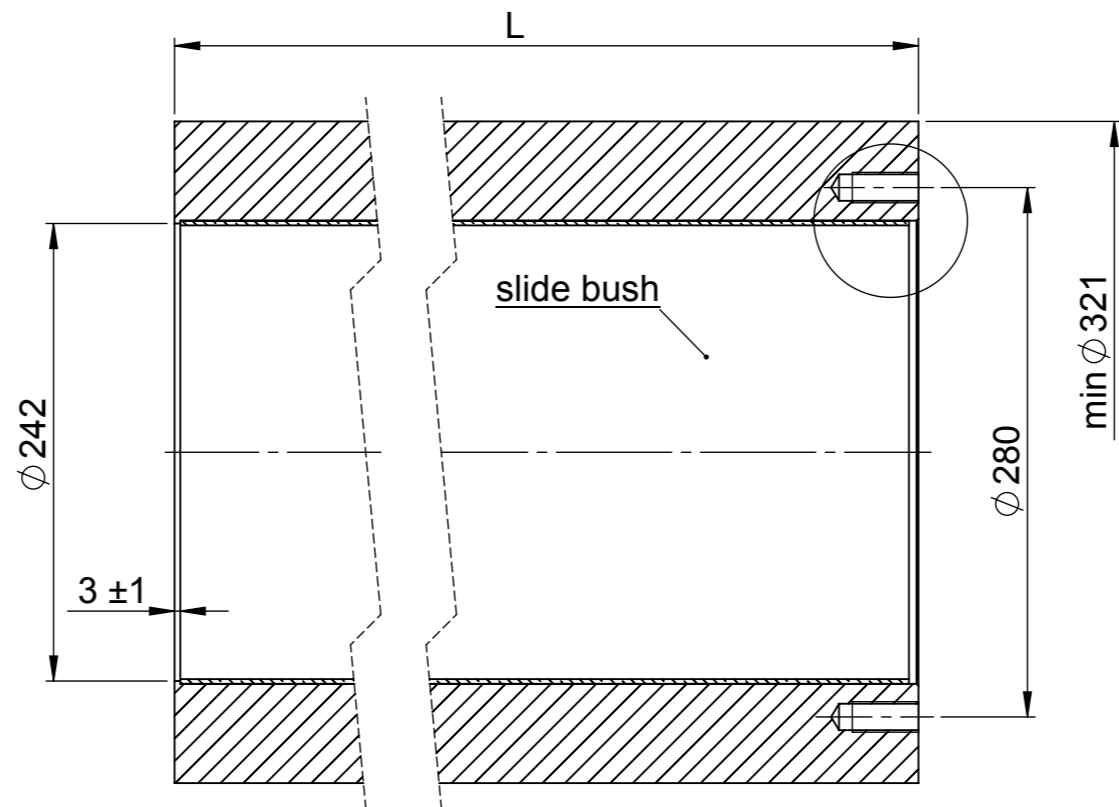
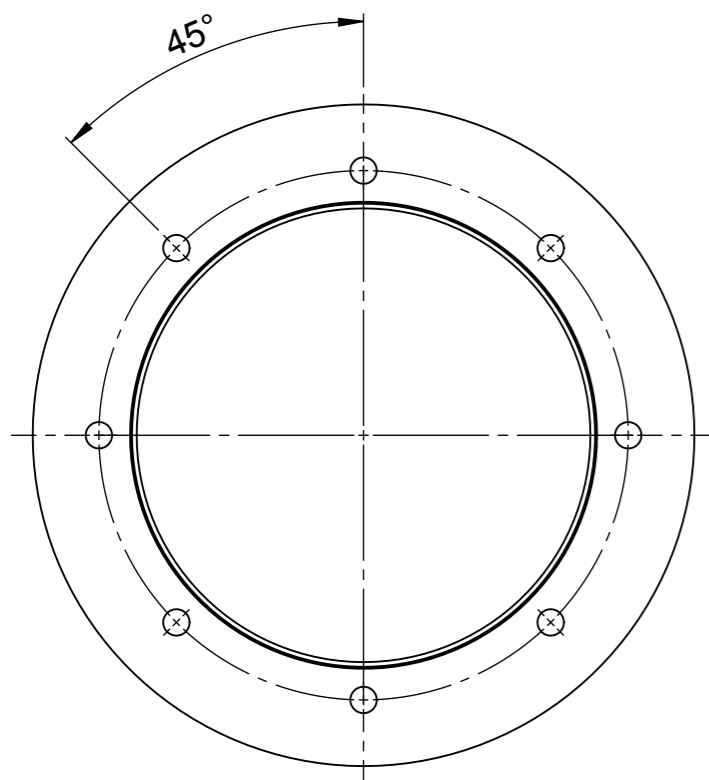


GERMANY

REV MODIFICATION DATE NAME

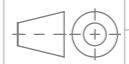
replacing: repl. by:

sheet
1
sheets
2



disclosure and reproduction of this document is prohibited, exploitation and communication of its contents as well, unless specifically authorised. Violation undertakes compensation. All rights reserved. (DIN ISO 16016)

general tolerances
DIN 7168-m



paper scale 1:4 paper size: weight:

material:
coating:

DATE	NAME
drawn 03.03.2014	
checked 03.03.2014	

EMB-STOP RL M

KTR Brake Systems GmbH
Schloss Holte-Stukenbrock



GERMANY

replacing: repl. by:

sheet 2
sheets 2

REV	MODIFICATION	DATE	NAME