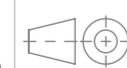


disclosure and reproduction of this document is prohibited, exploitation and communication of its contents as well, unless specifically authorised. Violation undertakes compensation. All rights reserved. (DIN ISO 16016)

general tolerances  
DIN 7168-m



paper scale 1:4 paper size: weight:

material:  
coating:

DATE	NAME
drawn	
checked	

**EMB-STOP M-A-F Lever**

KTR Brake Systems GmbH  
Schloss Holte-Stukenbrock



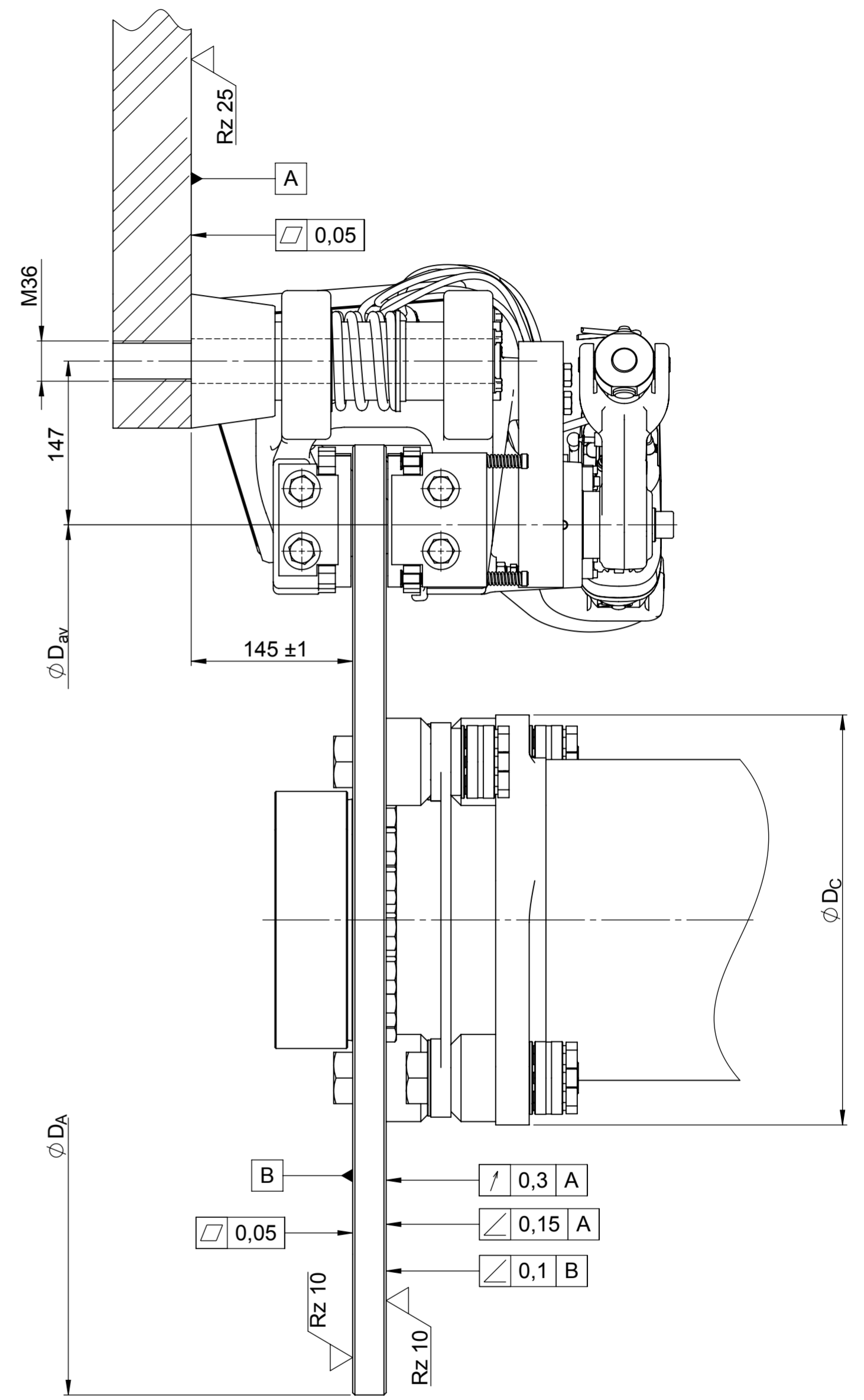
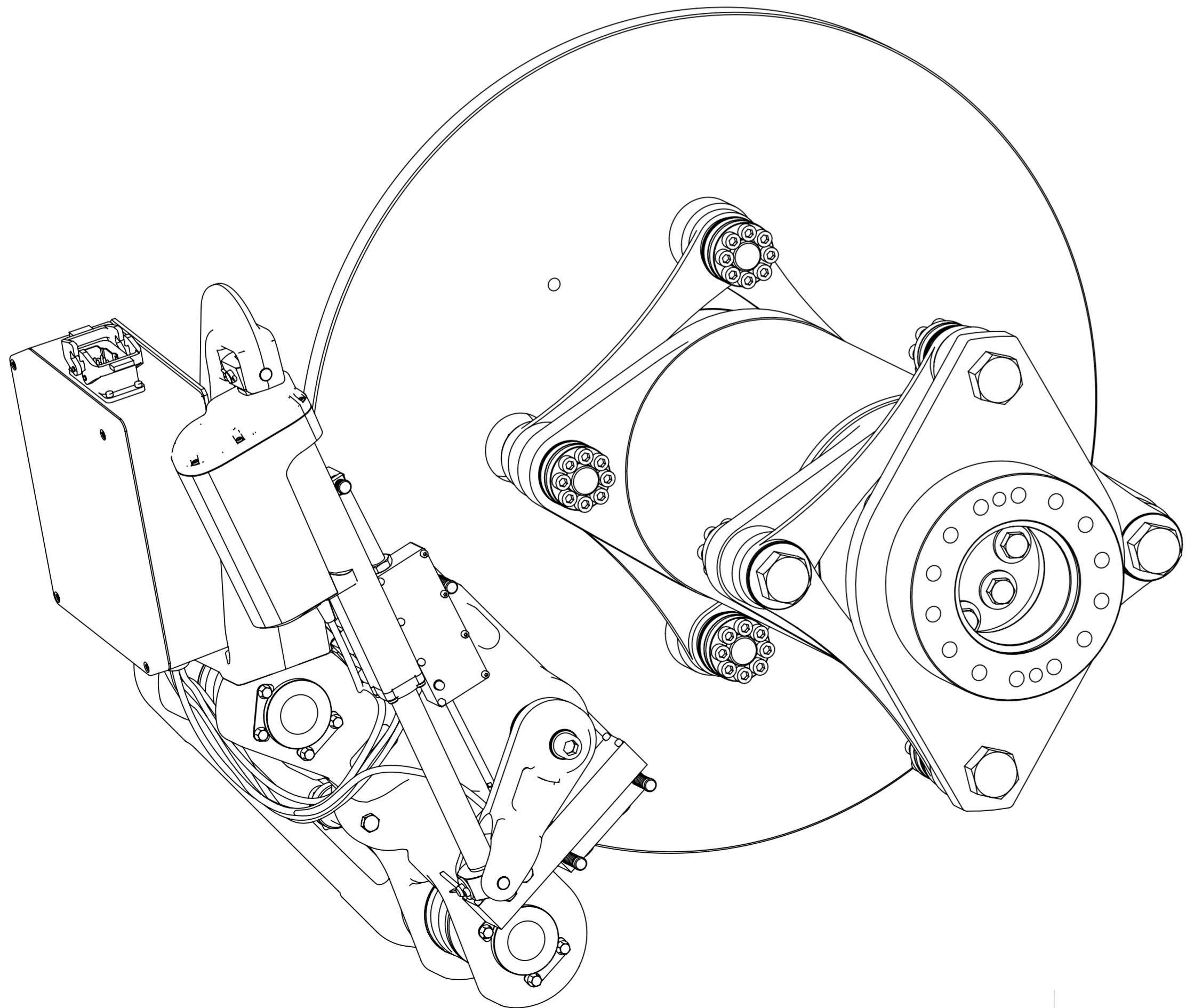
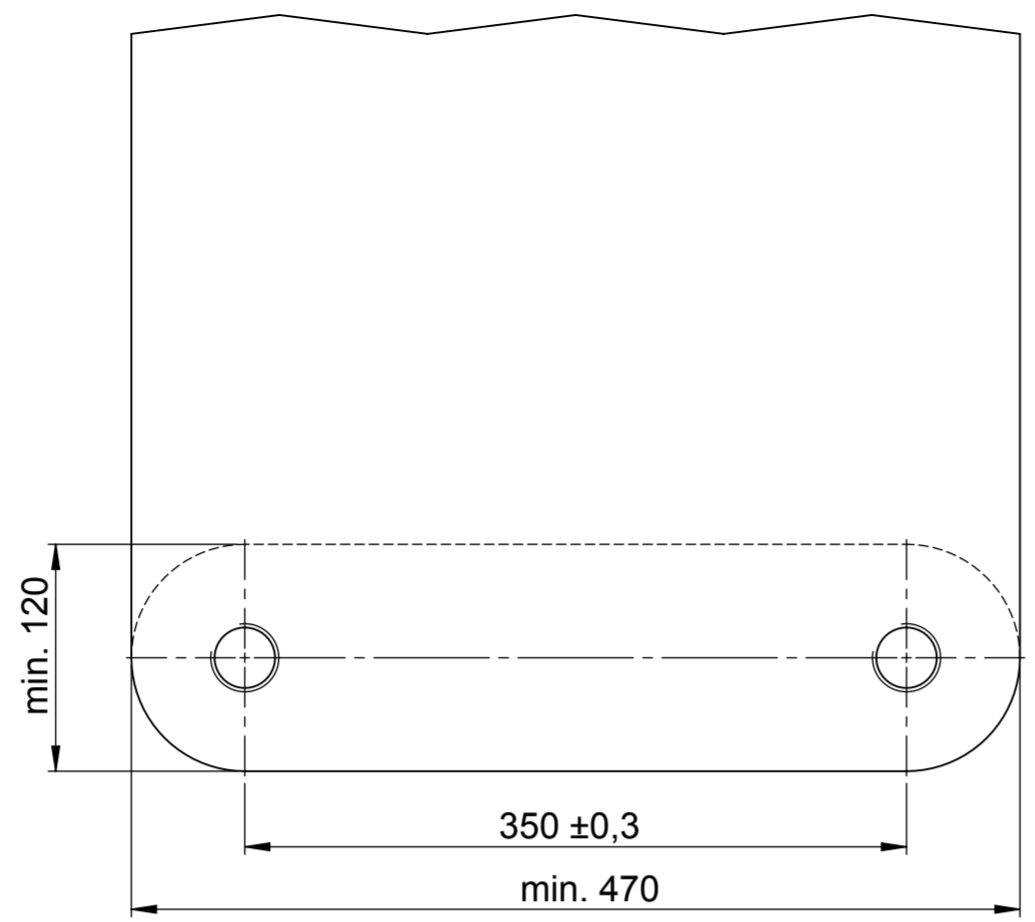
GERMANY

replacing: repl. by:

sheet  
1

sheets  
2

REV	MODIFICATION	DATE	NAME



disclosure and reproduction of this document is prohibited, exploitation and communication of its contents as well, unless specifically authorised. Violation undertakes compensation. All rights reserved. (DIN ISO 16016)

general tolerances DIN 7168-m

paper scale 1:4 paper size: weight: material: coating:

DATE	NAME
drawn	
checked	

### EMB-STOP M-A-F Lever

KTR Brake Systems GmbH  
Schloss Holte-Stukenbrock



REV MODIFICATION DATE NAME

GERMANY

replacing: repl. by:

sheet 2 sheets 2