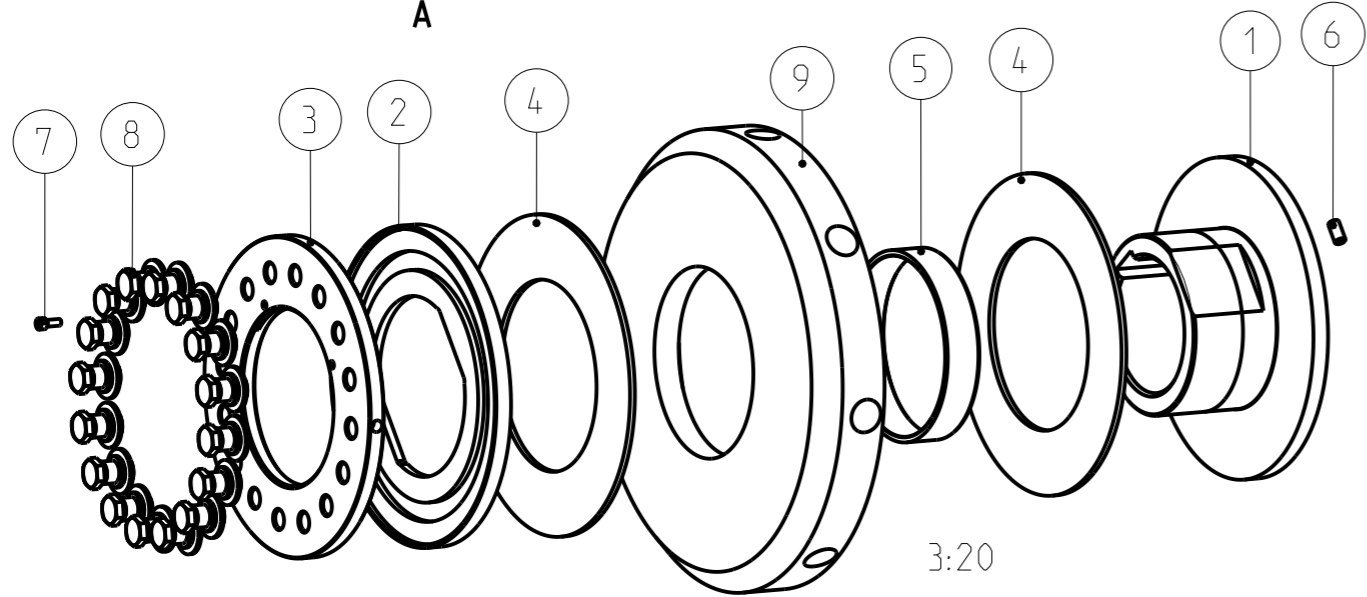


Achtung!  
Montagebohrung muss fluchtend  
mit Gewindestift sein!  
Attention!  
Bore for mounting has to be  
aligned with setscrew!

| Drehmomente / Torques (Nm) |             |      |
|----------------------------|-------------|------|
| 1TFD                       | 2TFD        | 3TFD |
| 900- 3400                  | 1800 - 6800 | -    |



|                                                                                                |                       |                                                                            |                            |
|------------------------------------------------------------------------------------------------|-----------------------|----------------------------------------------------------------------------|----------------------------|
| Oberflächengüte nach DIN EN ISO 1302 Reihe 2<br>Surface quality acc. to DIN EN ISO 1302 line 2 |                       | Schutzvermerk ISO 16016 beachten<br>Note protection mark acc. to ISO 16016 |                            |
| Allgemeintoleranzen nach<br>General tolerances acc. to                                         |                       | DIN ISO 2768 - mH                                                          | Masstab<br>Scale           |
|                                                                                                |                       | 7:20                                                                       | Format<br>Size             |
|                                                                                                |                       | A3                                                                         |                            |
| <b>RUFLEX 8-XTFDx25-120 (max.)<br/>With Driven Part</b>                                        |                       | <b>RUFLEX 8-XTFDx25-120 (max.)<br/>mit Antriebsteil</b>                    |                            |
| gezeichnet<br>drawn                                                                            | Werkstoff<br>Material | Kz                                                                         | Lfd.-Nr.<br>Current number |
| Datum<br>Date                                                                                  | Norm<br>Standard      | M                                                                          | 664342                     |
| Name                                                                                           | Gewicht<br>Weight     |                                                                            | 0                          |
|                                                                                                | 67.503 kg             |                                                                            |                            |

