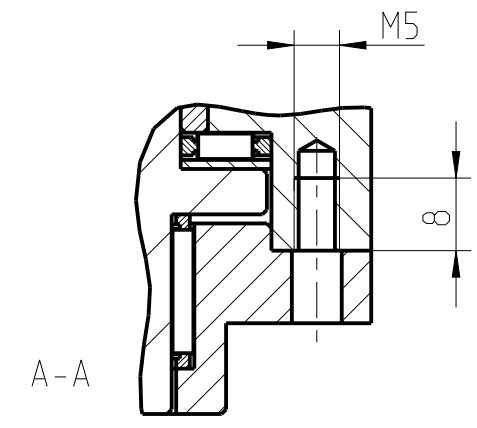
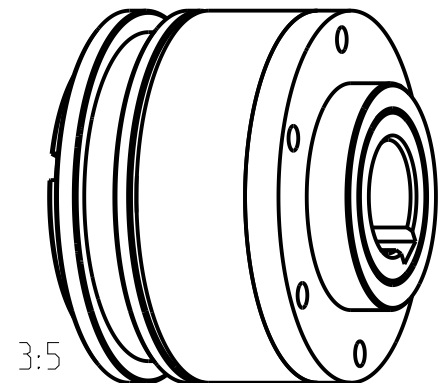


Hub DK = 2.3 mm
 Hub SR = 1.8 mm
 Hub SGR = 0.8 mm
 Hub = FR = 2.3 mm



Massentraegheitsmoment ($\varnothing d = \max.$) /
 Mass moment of inertia ($\varnothing d = \max.$): $1.61 \times 10^{-3} \text{ kgm}^2$

Drehmomente / Torques (Nm)							
Ausfuehrung / Design DK				Ausfuehrung / Design SR SGR FR			
T1	T2	T3	T4	T1	T2	T3	T4
6-12	12-25	25-55	55-100	12-25	25-50	50-100	-

Oberflaechenguete nach DIN EN ISO 1302 Reihe 2 Surface quality acc. to DIN EN ISO 1302 line 2			Schutzvermerk ISO 16016 beachten Note protection mark acc. to ISO 16016				
Allgemeintoleranzen nach General tolerances acc. to			DIN ISO 2768 - mH	Masstab Scale	6:5	Format Size	A3
KTR-SI 1 -(DK.SR.SGR.FR)-KT				KTR-SI 1 -(DK.SR.SGR.FR)-KT			
Datum Date	gezeichnet drawn	Werkstoff Material		Kz	Lfd.-Nr. Current number	Index Rev.	
Name	FE	Gewicht Weight	1.786 kg	M	656273	0	