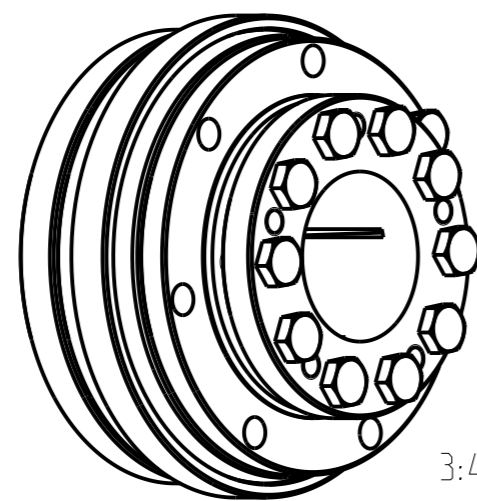
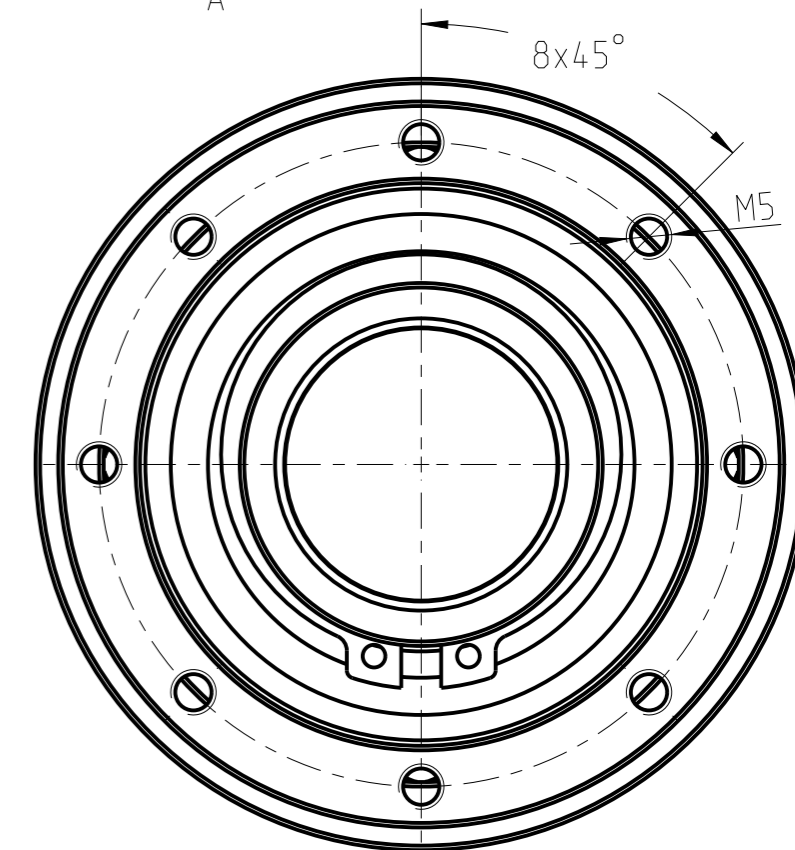


Schraubenanzugsmoment  $T_A = 10 \text{ Nm}$   
 Screw tightening torque  $T_A = 10 \text{ Nm}$



Massentraegheitsmoment ( $\text{Ø}d = \text{max.}$ ) /  
 Mass moment of inertia ( $\text{Ø}d = \text{max.}$ ):  $0.97 \times 10^{-3} \text{ kgm}^2$

Oberflaechenguete nach DIN EN ISO 1302 Reihe 2  
 Surface quality acc. to DIN EN ISO 1302 line 2  
 Schutzvermerk ISO 16016 beachten  
 Note protection mark acc. to ISO 16016  
 Allgemeintoleranzen nach  
 General tolerances acc. to DIN ISO 2768 - mH  
 Masstab Scale 6:5  
 Format Size A3

**KTR-SI 0 compact (DK/SK)**

**KTR-SI 0 compact (DK/SK)**

Torques (Nm)			Transmittable torque $T_R$ (Nm)										
T1	T2	T3	$d_1$	Ø15	Ø16	Ø18	Ø19	Ø20	Ø22	Ø24	Ø25	Ø28	Ø30
9-35	18-70	40-140	H7/h8	120	130	150	160	180	190	210	220	240	260

gezeichnet drawn	Werkstoff Material	Kz	Lfd.-Nr. Current number	Index Rev.	
Datum Date	Norm Standard	M	651681	0	
Name	Gewicht Weight		1.172 kg		